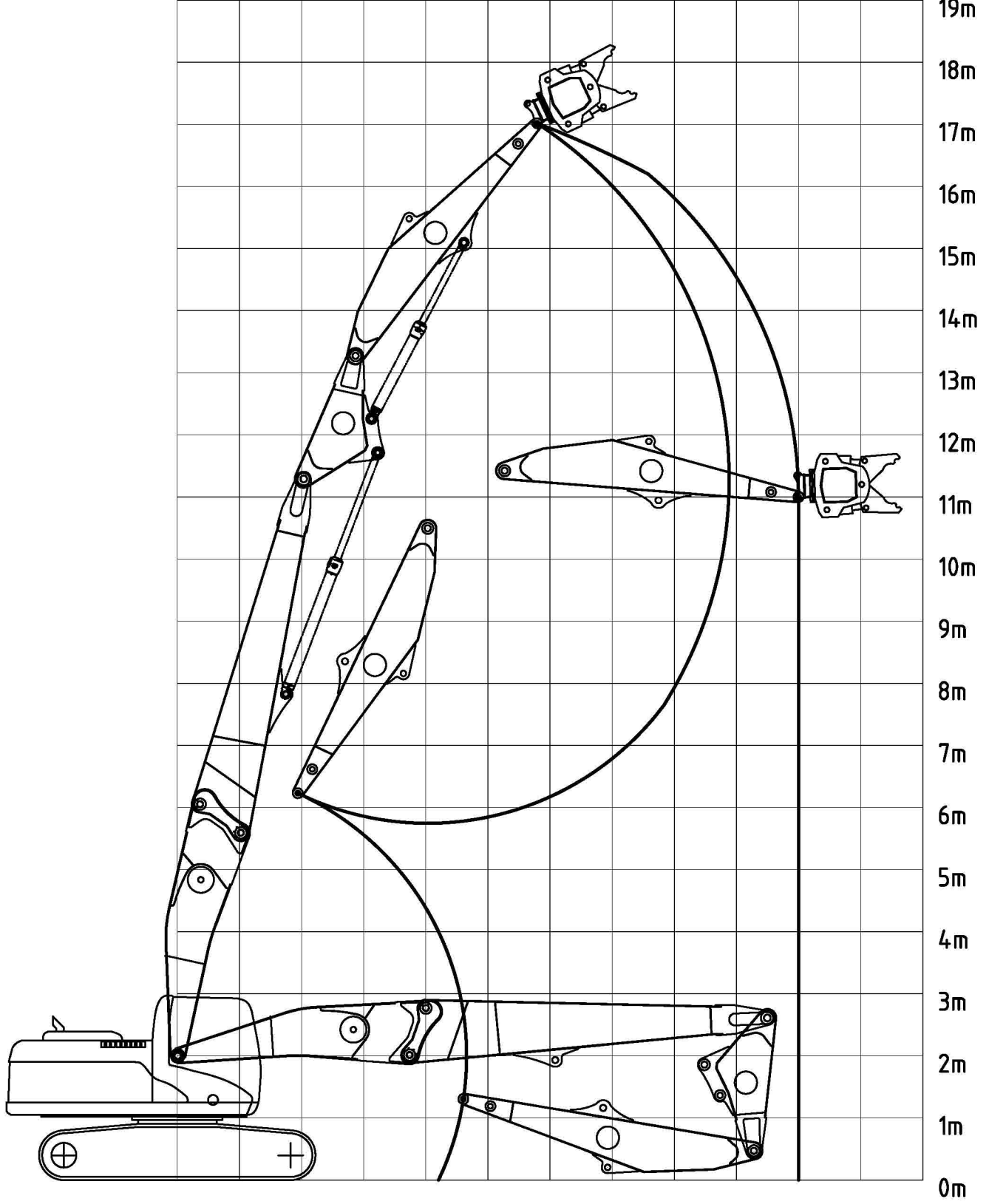


0m 1m 2m 3m 4m 5m 6m 7m 8m 9m 10m 11m 12m



- NOTES**
1. MAXIMUM ATTACHMENT SIZE - FINAL OPTION DEPENDANT - ENQUIRE FOR DETAILS
 2. BASE MACHINE SHOWN FOR REFERENCE ONLY - OPTIONS MAY NOT BE AS ILLUSTRATED - CAB POSITION MAY NOT BE EXACT

1	25.06.09	-	LAK
ISS	DATE	MOD	DRN.
NOT BINDING IN DETAIL			

KOCUREK
 24 Arkwright Road
 Hadleigh Road Industrial Estate
 Ipswich IP2 0UB ENGLAND
 Tel. +44 (0)1473 217477

CONFIDENTIAL
 This drawing embodies confidential information, the property of KOCUREK EXCAVATORS Ltd., to whom the copyright belongs. This drawing may not be copied or used for any purpose other than that for which it was made available except with the prior written consent of KOCUREK EXCAVATORS Ltd., & provision of this drawing does not grant any rights under any industrial property rights of KOCUREK EXCAVATORS Ltd., nor of any third party.

TITLE	WORKING ENVELOPE 3PC HR DEMO - 17m WITH M/J 29T BASE MACHINE
DRG. NO.	99000446
	SHT 1 OF 1